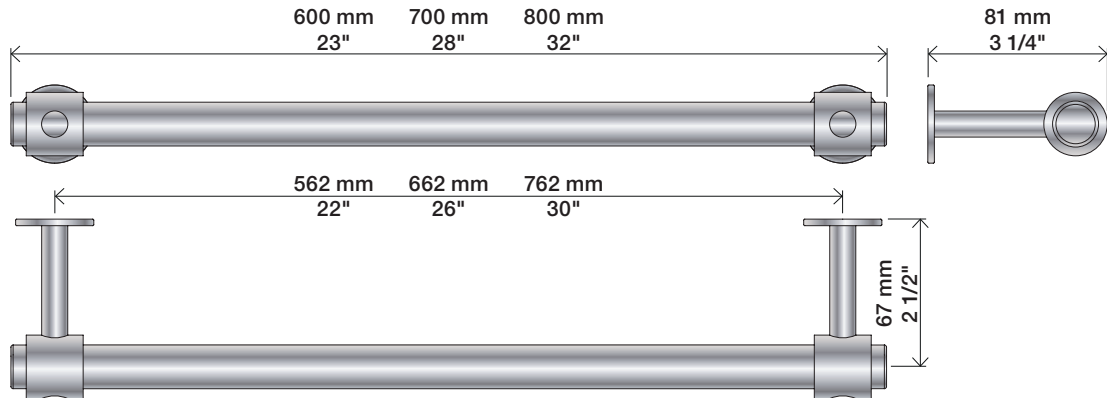


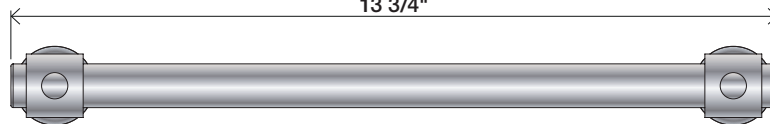
T19/6 - T19/7 - T19/8

T19/6:	T19/7:	T19/8:
600 mm	700 mm	800 mm
23"	28"	32"

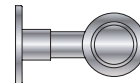


T23

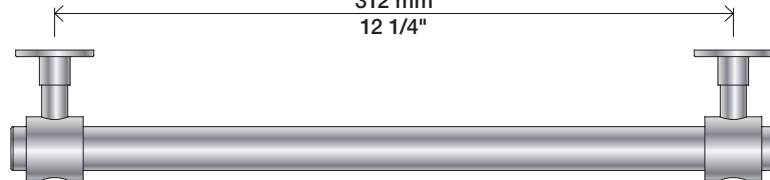
350 mm
13 3/4"



60 mm
2 3/8"

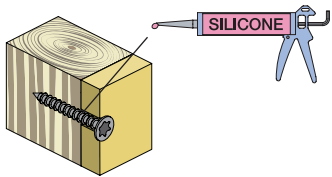


312 mm
12 1/4"



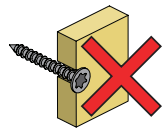
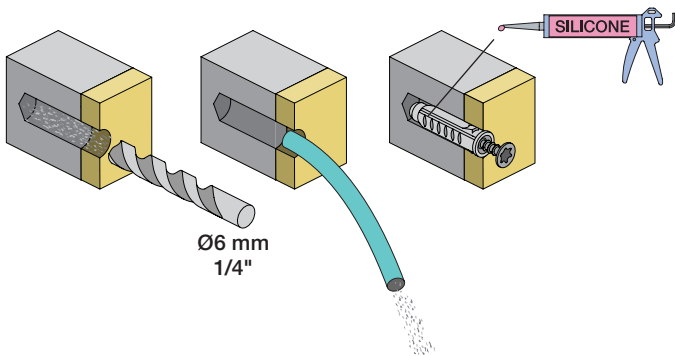
Light frame wall construction
Leichtbauwand
Let væg

Mellanbjälklag trä
Hollewand constructie
Construction légère

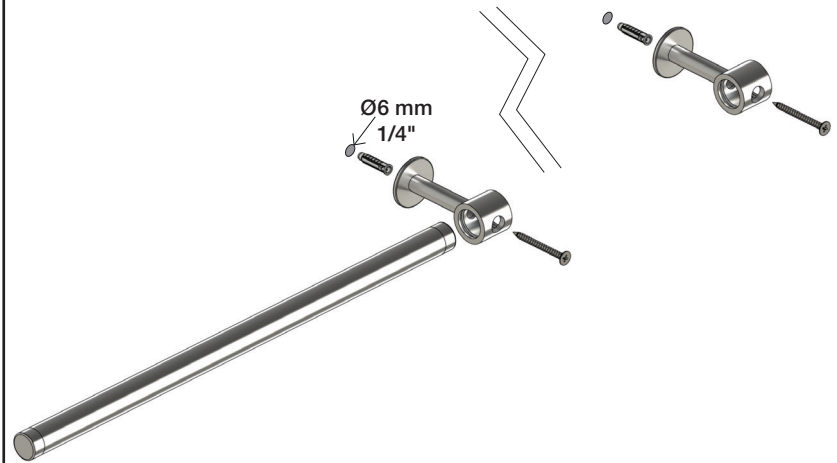


Solid wall/Masonry
Mauerwerk
Tungvæg

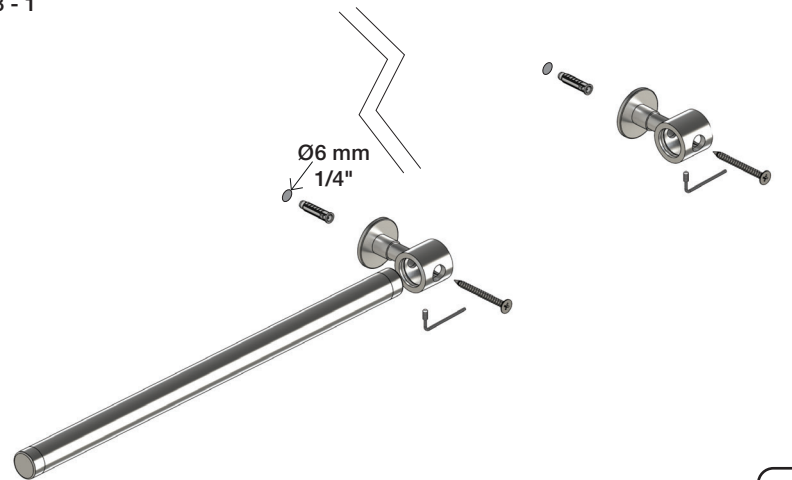
Mellanbjälklag betong etc.
Massieve wand
Mur plein

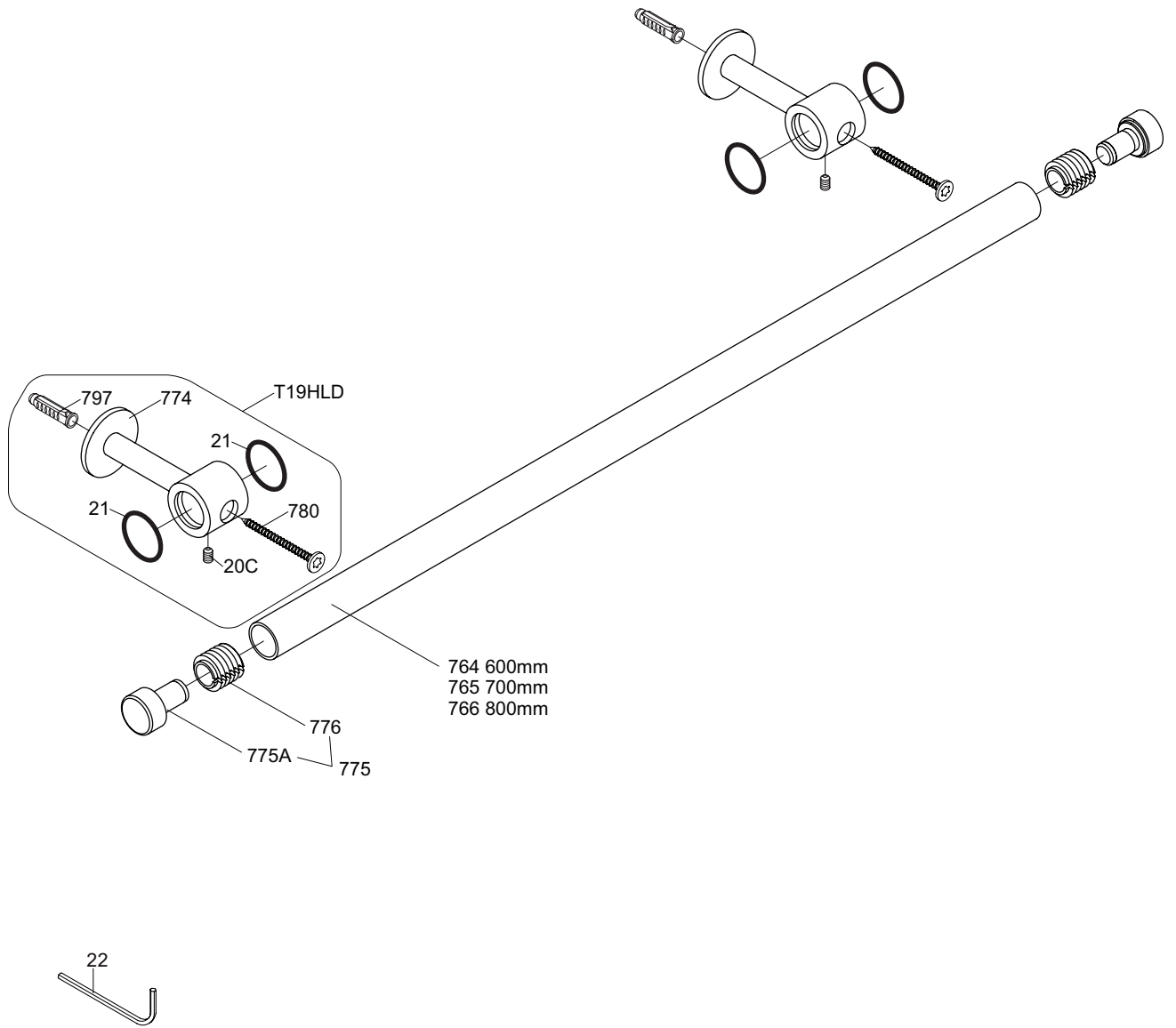


T19/6 - T19/7 - T19/8



T23 - 1





T19HLD: VR20C, 2xVR21, VR774, VR780
 VR20C: VR20C, VR22
 VR775: VR775A, VR776
 VR780: VR780, VR797



vola
 Lunavej 2
 DK-8700 Horsens
 Tlf : + 45 7023 5500
 sales@vola.com
 www.vola.com

VOLA T19

Date
 Aug. 24

Rev.
 2

Sheet
 SB 42.10