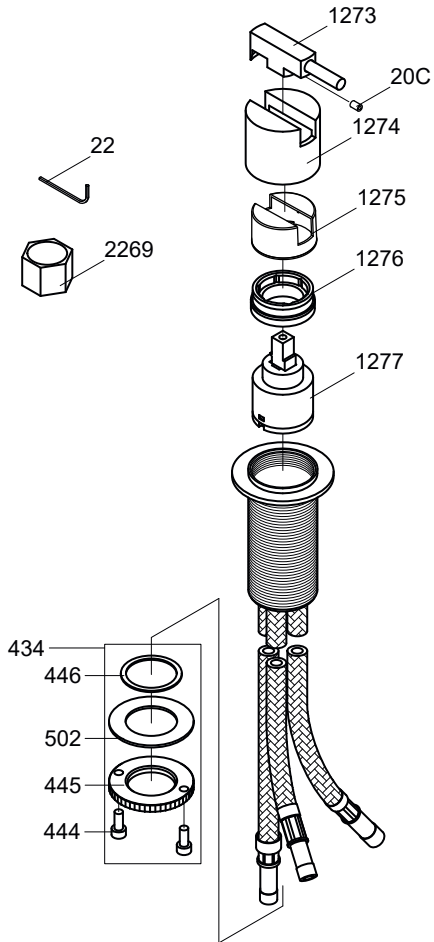
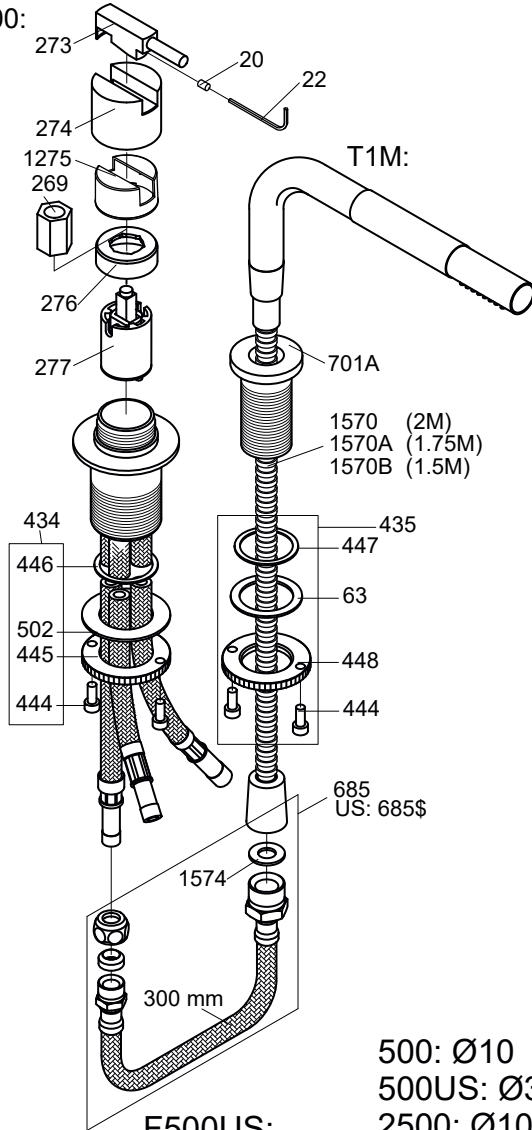


F2500:



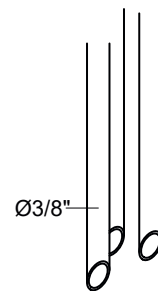
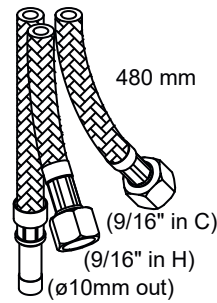
F500:



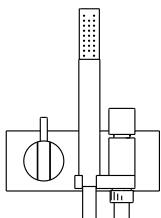
T1M:

500: Ø10
 500US: Ø3/8"
 2500: Ø10
 2500US: Ø3/8"

F500US:
 F2500US:



- VR277K: VR22, VR269, VR277
 NR.10: VR20, VR22, VR273, VR274, VR275
 VR434: VR261, VR263, VR440, VR442, 2xVR444
 VR435: VR63, 2xVR444, VR447, VR448
 VR1277K: VR22, VR2269, VR1277
 NR.11: VR20, VR22, VR1273, VR1274, VR1275



Vola A/S
 Lunavej 2
 DK-8700 Horsens
 Tlf : + 45 7023 5500
 Fax: + 45 7023 5511
 sales@vola.com
 www.vola.com

VOLA SC3

Dato

Sep 09

Rev.

1

Blad

SB27.62