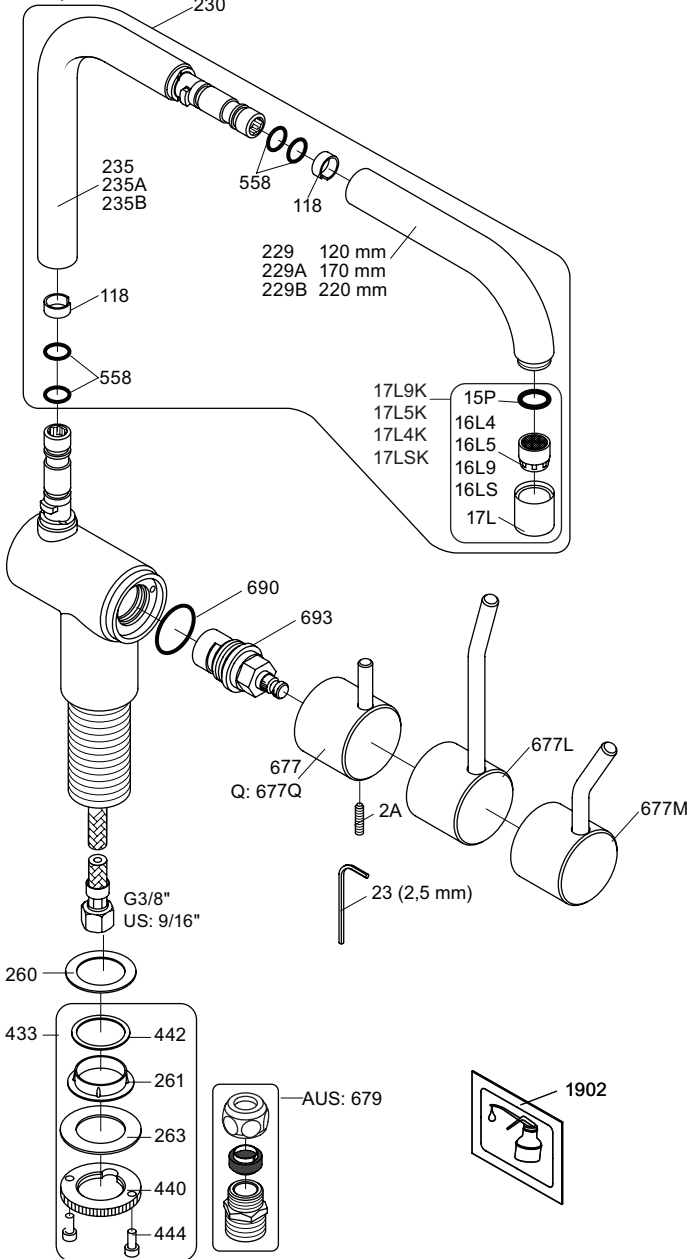
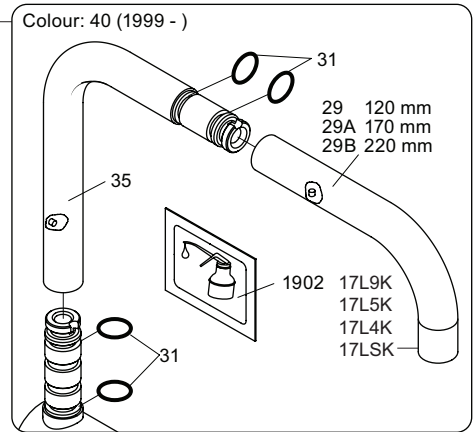


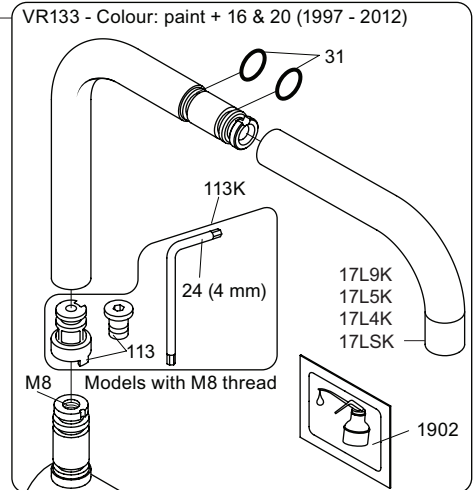
Colour: paint + 16, 19, 20, 230



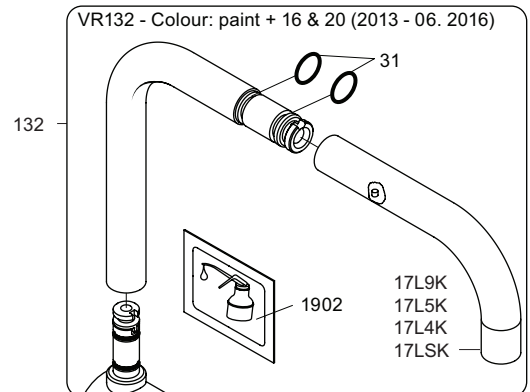
30 Colour: 40 (1999 -)



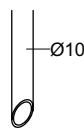
133 VR133 - Colour: paint + 16 & 20 (1997 - 2012)



VR132 - Colour: paint + 16 & 20 (2013 - 06. 2016)



Cu:
KV8: Ø10
KV8US: Ø3/8"
KV8Q: Ø3/8"



- NR.7/L/M: VR2A, VR677/L/M
- VR17L4K: VR15P, VR16L4, VR17L (US Standard)
- VR17L5K: VR15P, VR16L5, VR17L
- VR17L9K: VR15P, VR16L9, VR17L
- VR17LSK: VR15P, VR16LS, VR17L
- VR30: VR15P, VR16L9, VR17L, VR29, 4xVR31, VR35, VR1902 (F40) (and KV8 from 1972 - 1996)
- VR132: VR15P, VR16L9, VR17L, 2xVR31, VR1902 (2013 - 06. 2016)
- VR133: VR15P, VR16L9, VR17L, VR24, 2xVR31, VR113, VR1902 (1997 - 2012)
- VR230: VR15P, VR16L9, VR17L, 2xVR118, VR229, VR235, 4xVR558, VR1902 (06-2016 -)
- VR438: VR96, VR98, 2xVR444, VR450, VR451
- VR693K: VR23, VR693



vola

Lunavej 2
DK-8700 Horsens
Tlf : + 45 7023 5500
sales@vola.com
www.vola.com

VOLA KV8

Date
Jan. 23

Rev.
10

Sheet
SB25.1