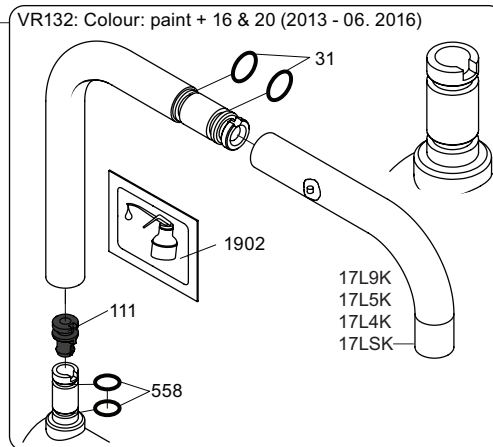
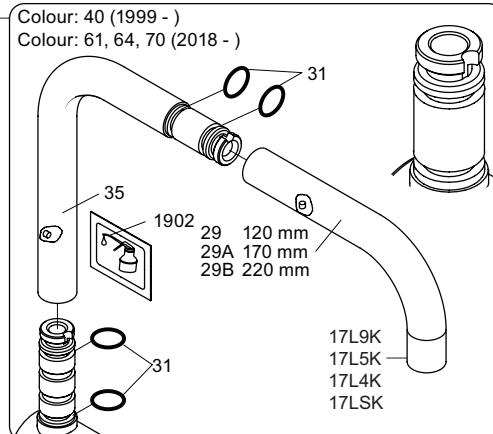
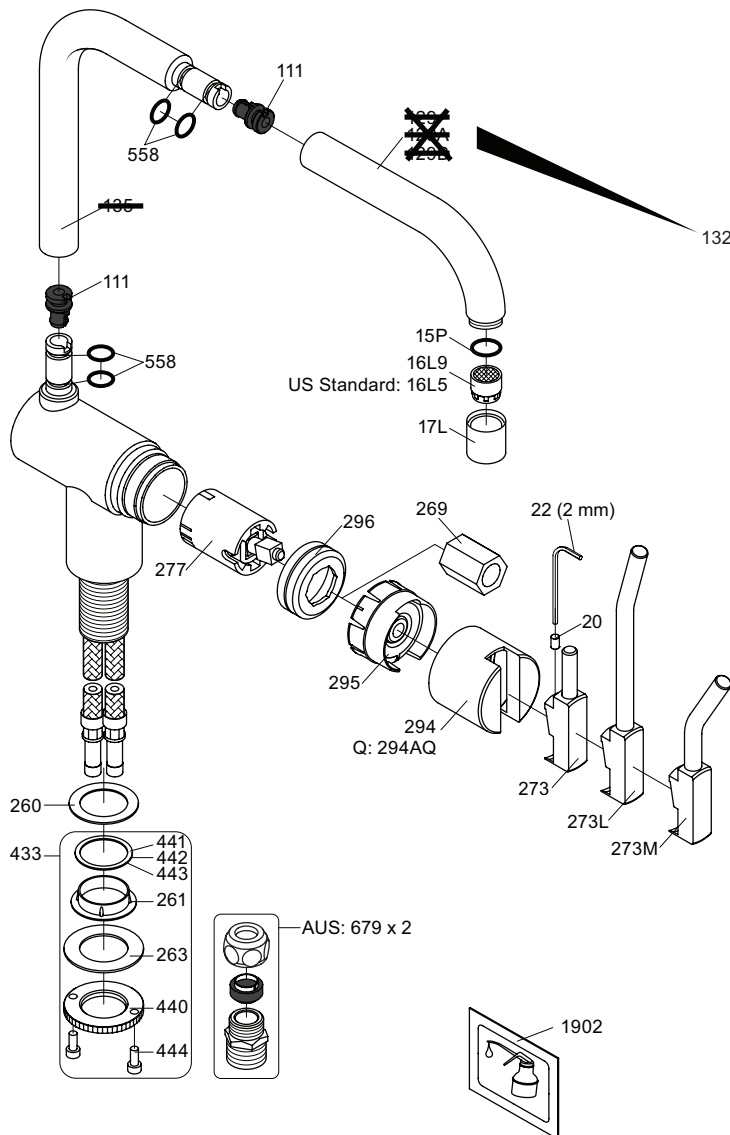
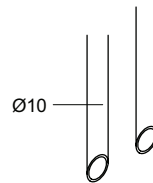


Colour: paint + 16, 19, 20

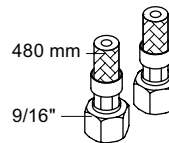
30 Colour: 40 (1999 - )  
Colour: 61, 64, 70 (2018 - )



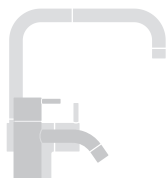
KV1: Ø10  
KV1US: Ø3/8"  
KV1Q: Ø3/8"



FKV1US:



- NR.10: VR20, VR22, VR273, VR294, VR295  
 VR17LK5: VR15P, VR16L5, VR17L (US Standard)  
 VR17LK9: VR15P, VR16L9, VR17L  
 VR30 F40: VR15P, VR16L9, VR17L, VR29P, 4xVR31, VR35, VR1902  
 VR090: VR15P, VR17L, 4xVR31, VR1902  
 VR128: VR15P, VR16L9, 4xVR558, VR1902  
~~VR132: VR15P, VR16L9, VR17L, 2xVR111, VR129, VR135, 4xVR558, VR1902~~  
 VR277K: VR22, VR269, VR277  
 VR297: VR20, VR22, VR269, VR273, VR277, VR294, VR295, VR296  
 VR433: VR261, VR263, VR440, VR441, VR442, VR443, 2xVR444



vola

Lunavej 2  
DK-8700 Horsens  
Tlf : + 45 7023 5500  
sales@vola.com  
www.vola.com

**VOLA KV1**

Date  
Mar. 16

Rev.  
7

Sheet  
SB 25.2