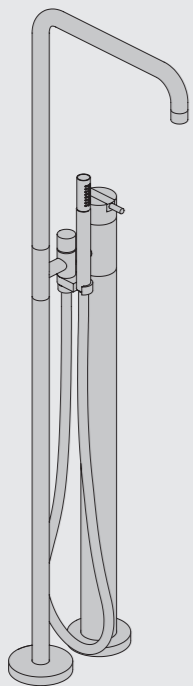


VOLA FS1

Fitting instruction
Montageanleitung
Monteringsvejledning

Monteringsvægledning
Montage hanleiding
Manuel de montage

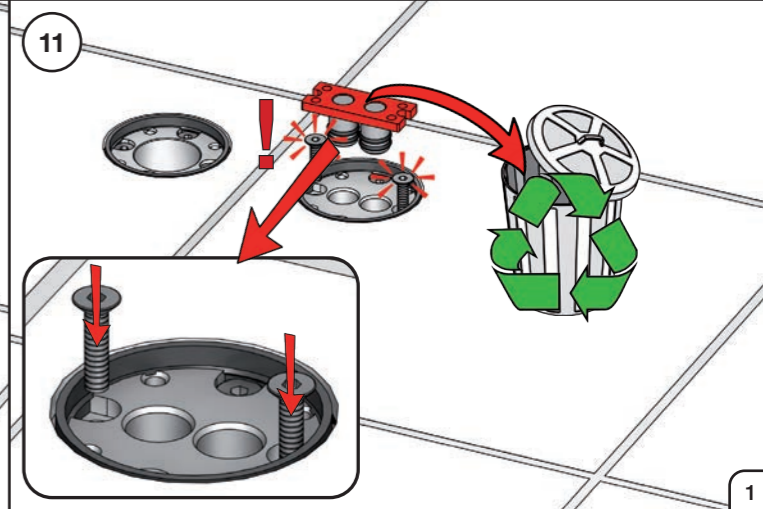
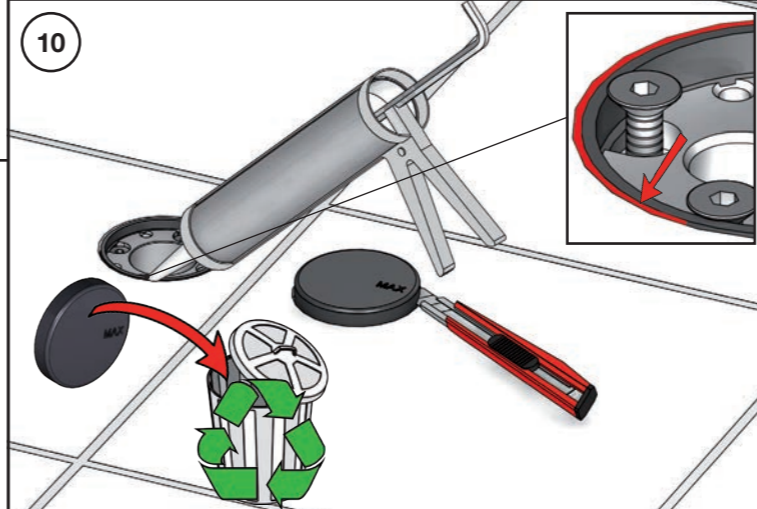
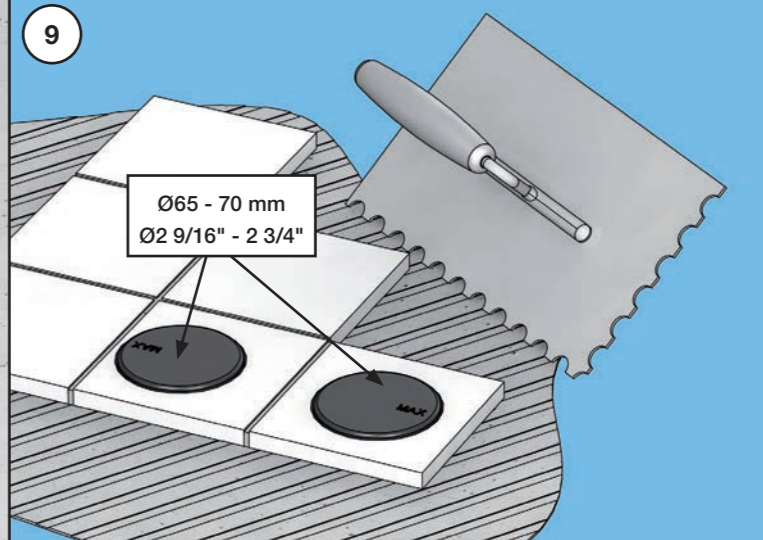
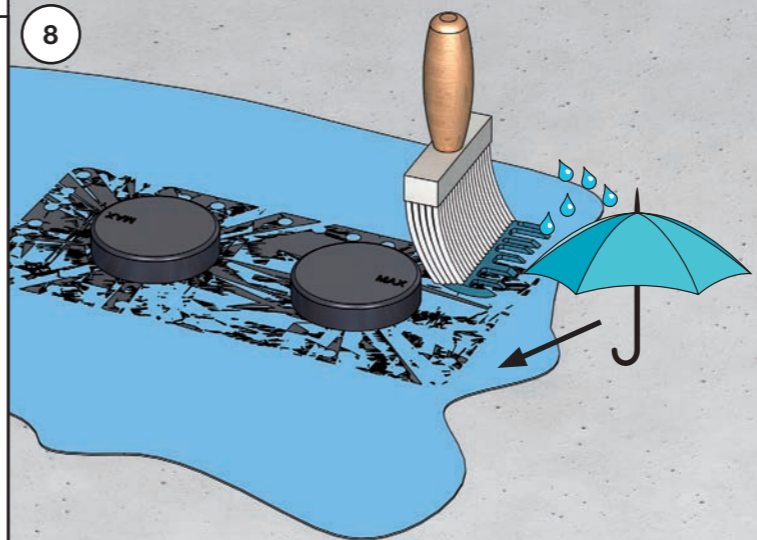
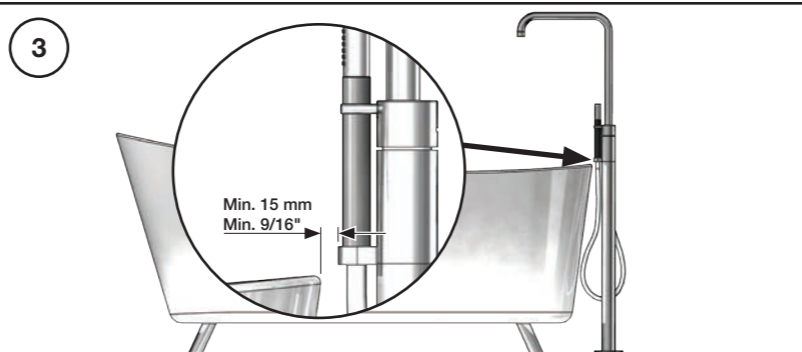
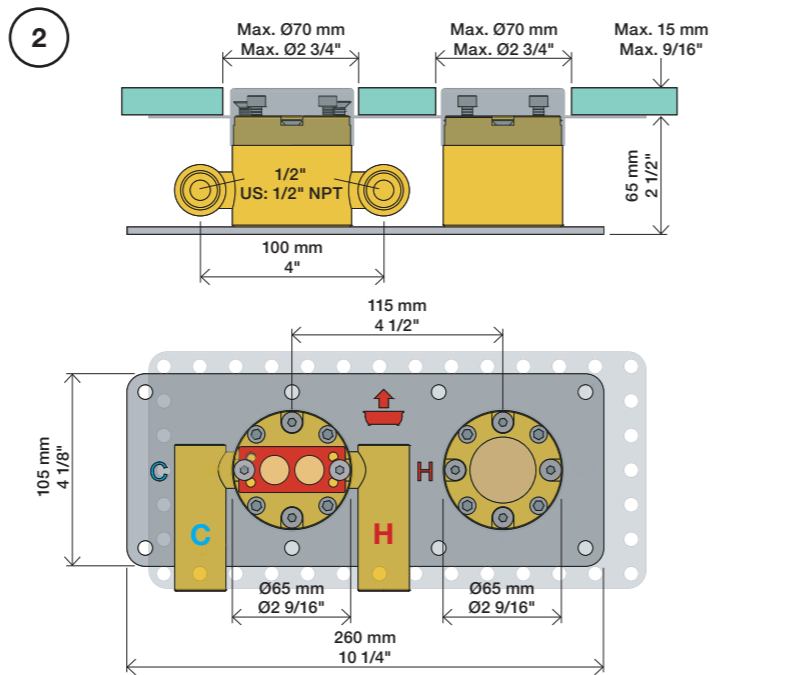
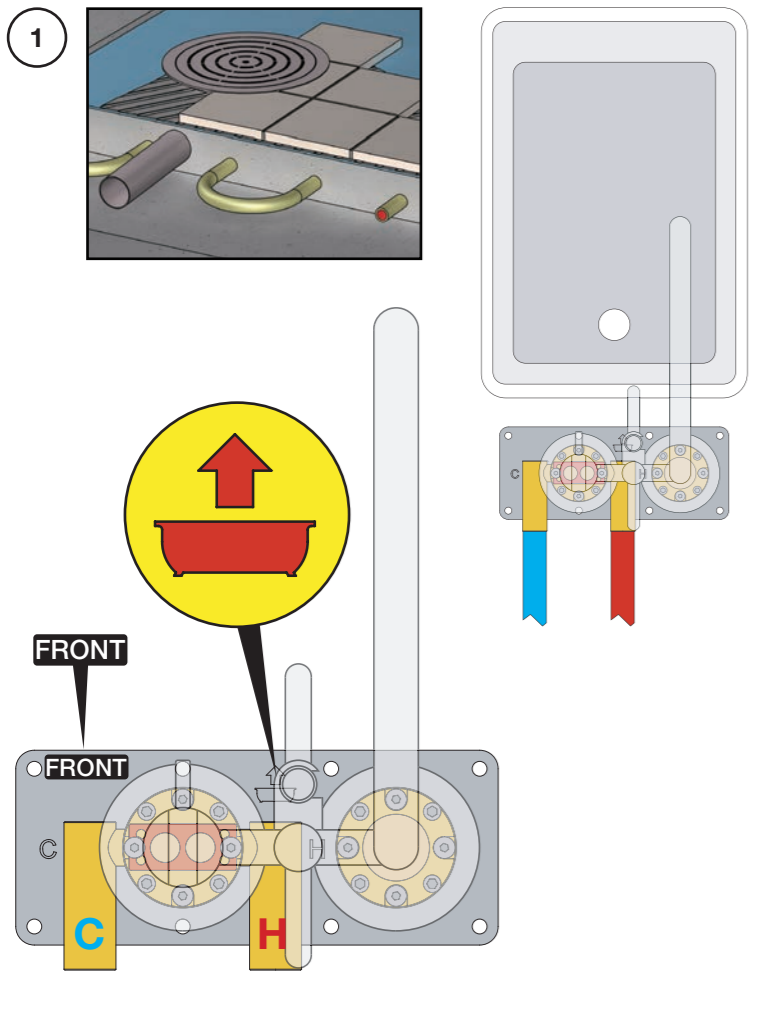
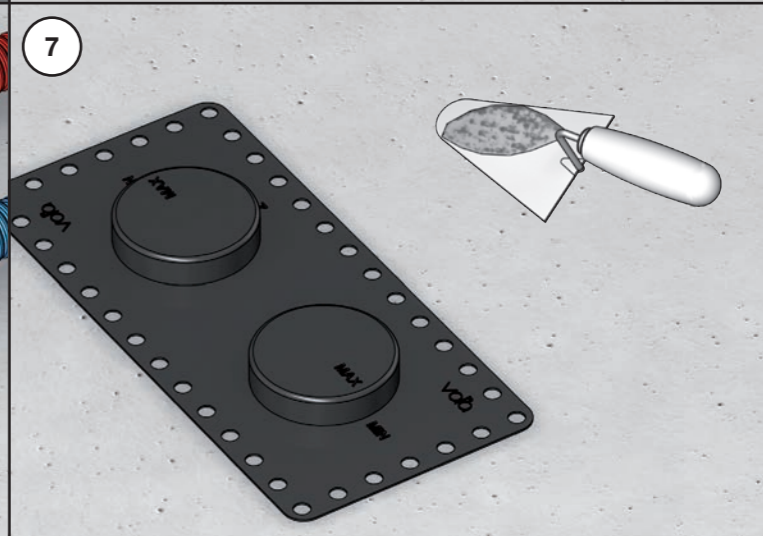
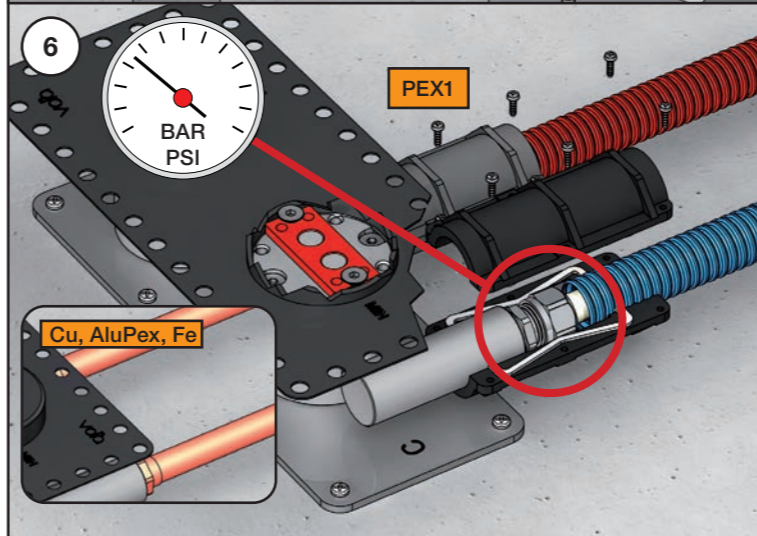
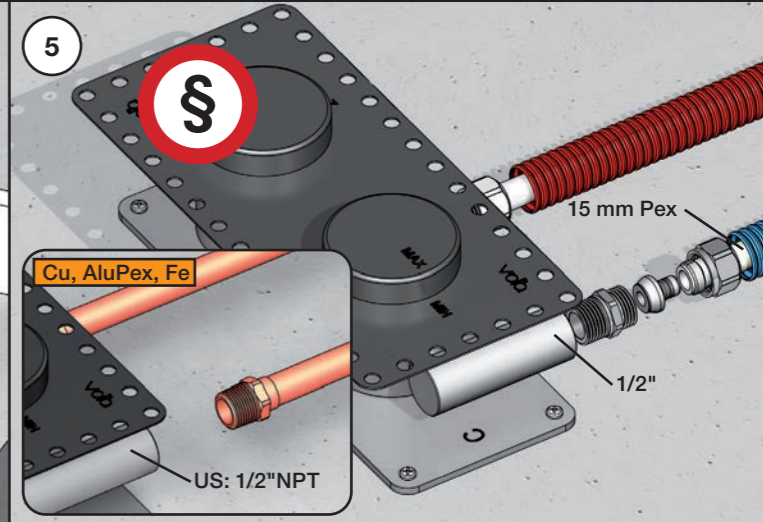
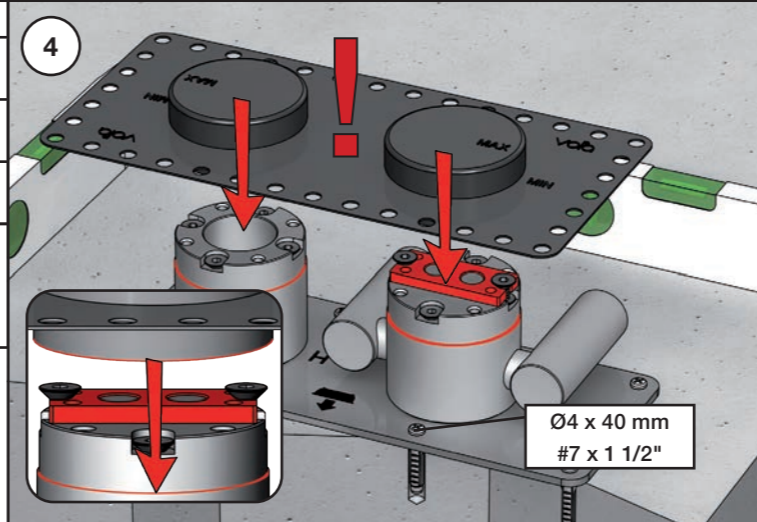
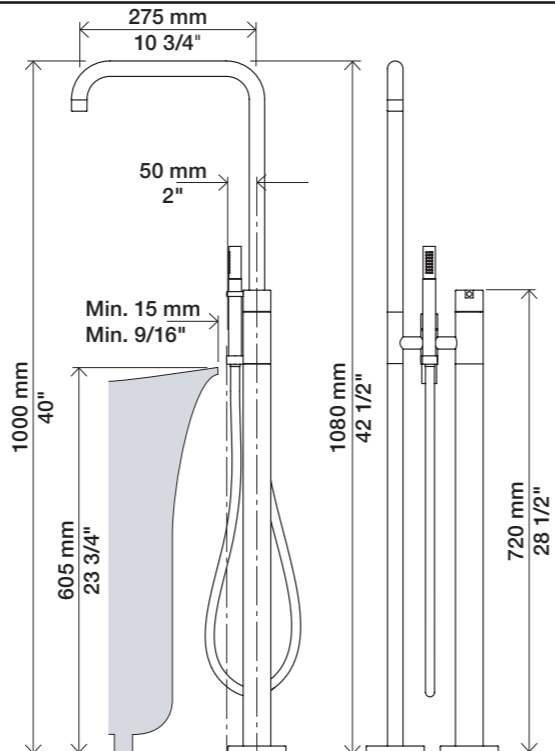


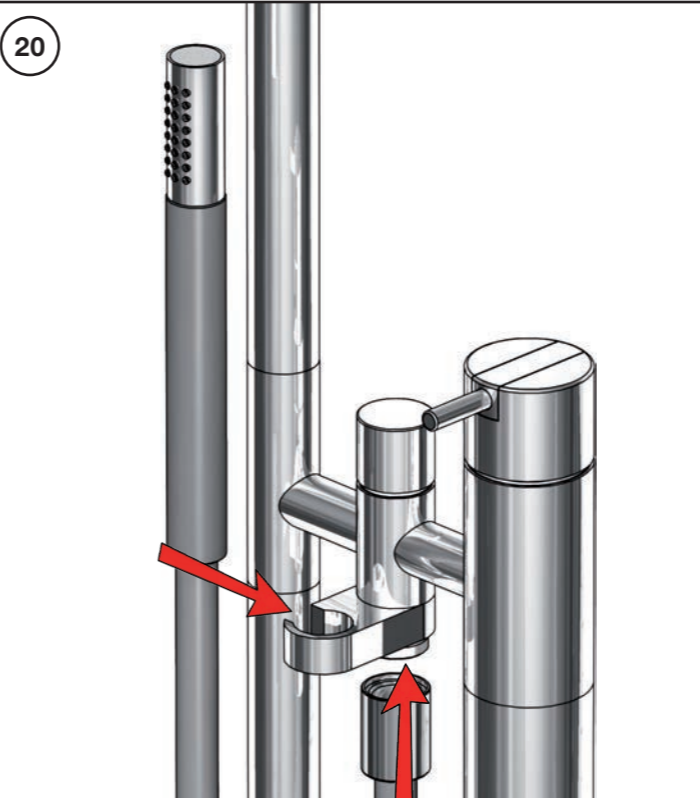
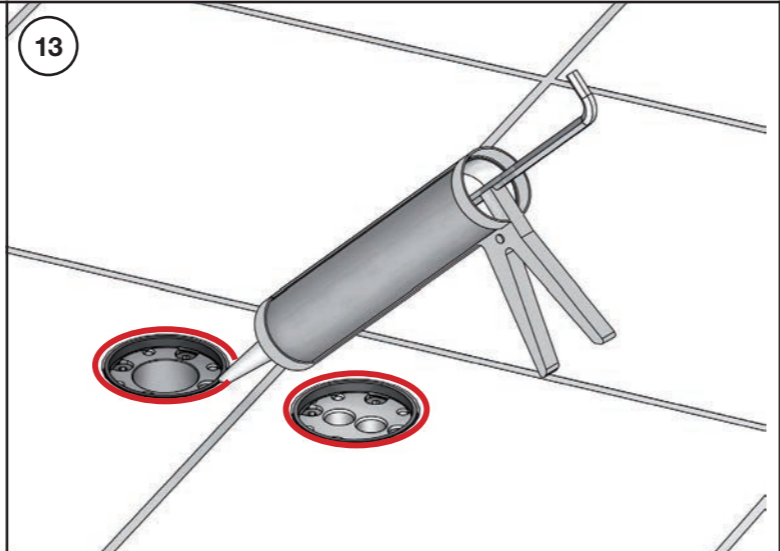
www.vola.com
mnt_FS1_V5_40600108
16-08-2022



Max. 65°C, 150°F Max. 10 Bar/145 Psi		Bar:	1	2	3	4	5
	FS1 VR624D-STD	(l/min) (Gal/min)	10.2 2.7	15.0 4.0	18.6 4.9	18.6 5.7	24.0 6.3
	FS1 VR624E-ALT	(l/min) (Gal/min)	12.6 3.3	18.0 4.8	22.2 5.9	25.2 6.7	28.8 7.6
	T2	(l/min) (Gal/min)	9.0 2.4	9.0 2.4	9.0 2.4	9.0 2.4	9.0 2.4

Temperature shall be regulated by one of the following means:
 1. A limiting device conforming to either ASSE 1070/ASME A112.1070/CSA B125.70 or CSA B125.3.
 2. A water heater conforming to ASSE 1084.





Extension
Verlängerung
Forlængelse

Förlängning
Verlængstücken
Verlängerung

X:		Standard:
3 - 15 mm	2/16" - 9/16"	Standard
15 - 25 mm	9/16" - 1"	VR1395+15
25 - 35 mm	1" - 1 3/8"	VR1395+30

VR1395

M15x1

48 mm
2"
38 mm
2"
13 mm

