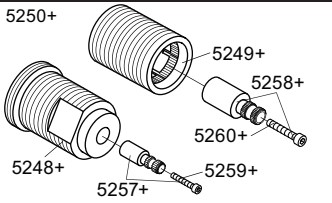
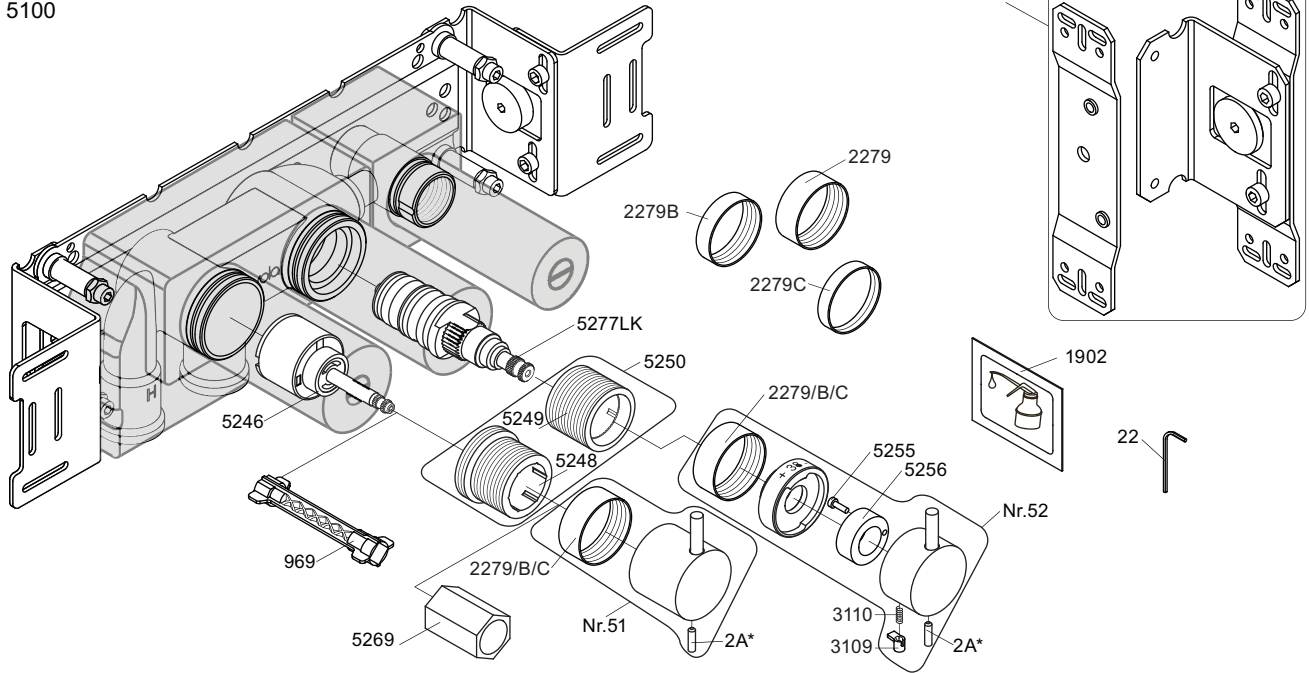



5100

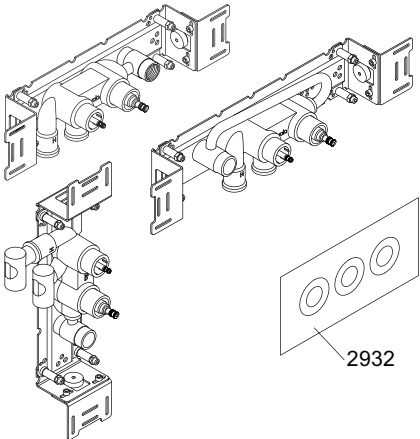


2A\*  Color

VR2A-Steel: Standard  
 VR2A-F60: F17-F27-F60  
 VR2A-F63: F63-F64  
 VR2A-F65: F19-F65-F70

NR51: VR5251, VR2279+B+C, VR2A  
 NR52: VR2A, VR5252, VR5253, VR5255, VR5256, VR2279+B+C, VR3113, VR2A  
 VR3113: VR3109, VR3110, VR5255  
 VR5250+: VR5248+, VR5249+, VR5257, VR5258, VR5259, VR5260  
 VR5257+: VR5257+, VR5259+  
 VR5258+: VR5258+, VR5260+

5100/5100X/5300

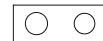
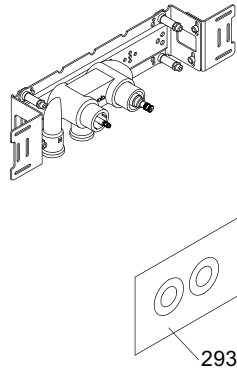


5003K



2x2001, 001

5200V



5002



2x2001



**vola**  
 Lunavej 2  
 DK-8700 Horsens  
 Tlf : + 45 7023 5500  
 sales@vola.com  
 www.vola.com

**VOLA 5100**  
 5100X, 5200V, 5300

Date  
 Jun. 20

Rev.  
**3**

Sheet  
**SB 10.51**