

vola®

VOLA RS11

Hands-free sanitiser and soap dispenser



## The stylish new welcome

Across the world, offices, retail and hospitality venues now greet people with the invitation of hand sanitiser.

Discrete, yet beautiful to look at, the VOLA RS11 is the stylish new welcome that enables this invitation to be made in the best possible way.



**RS11/3** Freestanding hands-free sanitiser spirit, foam or fluid soap/sanitiser gel dispenser in brushed stainless steel

## Simply elegant

### Three configurations for any environment

Adaptable for dispensing sanitiser spirit, foam soap or fluid soap/sanitiser gel, the VOLA RS11 is available in freestanding, wall-mounted or table-mounted configurations, making it ideal for all settings such as receptions, offices and bathrooms. Each configuration uses the same sized, well-proportioned cylinder, with a one-litre capacity.



**RS11/1** Wall-mounted hands-free sanitiser spirit, foam or fluid soap/sanitiser gel dispenser in brushed stainless steel.

With hygiene at the forefront of our thinking the sensor in the hands-free RS11 responds to hand movement to dispense just the right amount of sanitiser spirit, foam or fluid soap/sanitiser gel required.



**RS11/3** Freestanding hands-free sanitiser spirit, foam or fluid soap/sanitiser gel dispenser in brushed stainless steel.

The slim, elegant base of the freestanding configuration is heavily weighted to prevent toppling.



**RS11/2** Table-mounted hands-free sanitiser spirit, foam or fluid soap/sanitiser gel dispenser in brushed stainless steel.

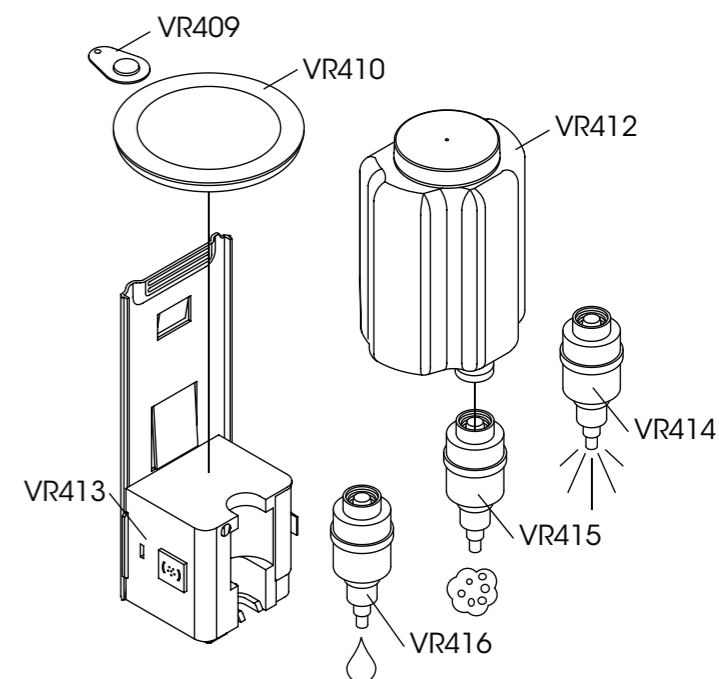
The reservoir forms the base of the table-mounted configuration. This is weighted for stability.

## The mechanism

In true VOLA style, all mechanisms are hidden to provide you with a pure design that complements your environment perfectly. The wall fixtures are discrete, helping to create the slimmest possible cylindrical design.



A magnetic key allows you to lift the top of the cylinder and pour in your sanitiser spirit, foam or fluid soap/sanitiser gel of choice. You can choose from three separate pump mechanisms that work with all hygiene options – sanitiser spirit, foam or fluid soap/sanitiser gel.



- VR414 – sanitiser spirit
- VR415 – foam soap
- VR416 – fluid soap/sanitiser gel

## Beauty that lasts

In keeping with all VOLA products, the VOLA RS11 is designed for durability and produced using the highest quality materials. The extruded aluminium cylinder body, is available in either black or white, and is resistant to finger marks.

The cylinder top and base is available in 27 colours including the eight finishes from the Exclusive Colour Series\* to allow ultimate flexibility to fit into any environment.

Cleaning the reservoir and replacing liquid is simple, ensuring knocks and damage are prevented. The accessibility of the parts makes them very easy to replace, if necessary, and all parts are held by VOLA to ensure years of use.



\* Exclusive Colour Series  
 .. Reservoir black or white like cylinder



Brushed Gold



Brushed Stainless Steel

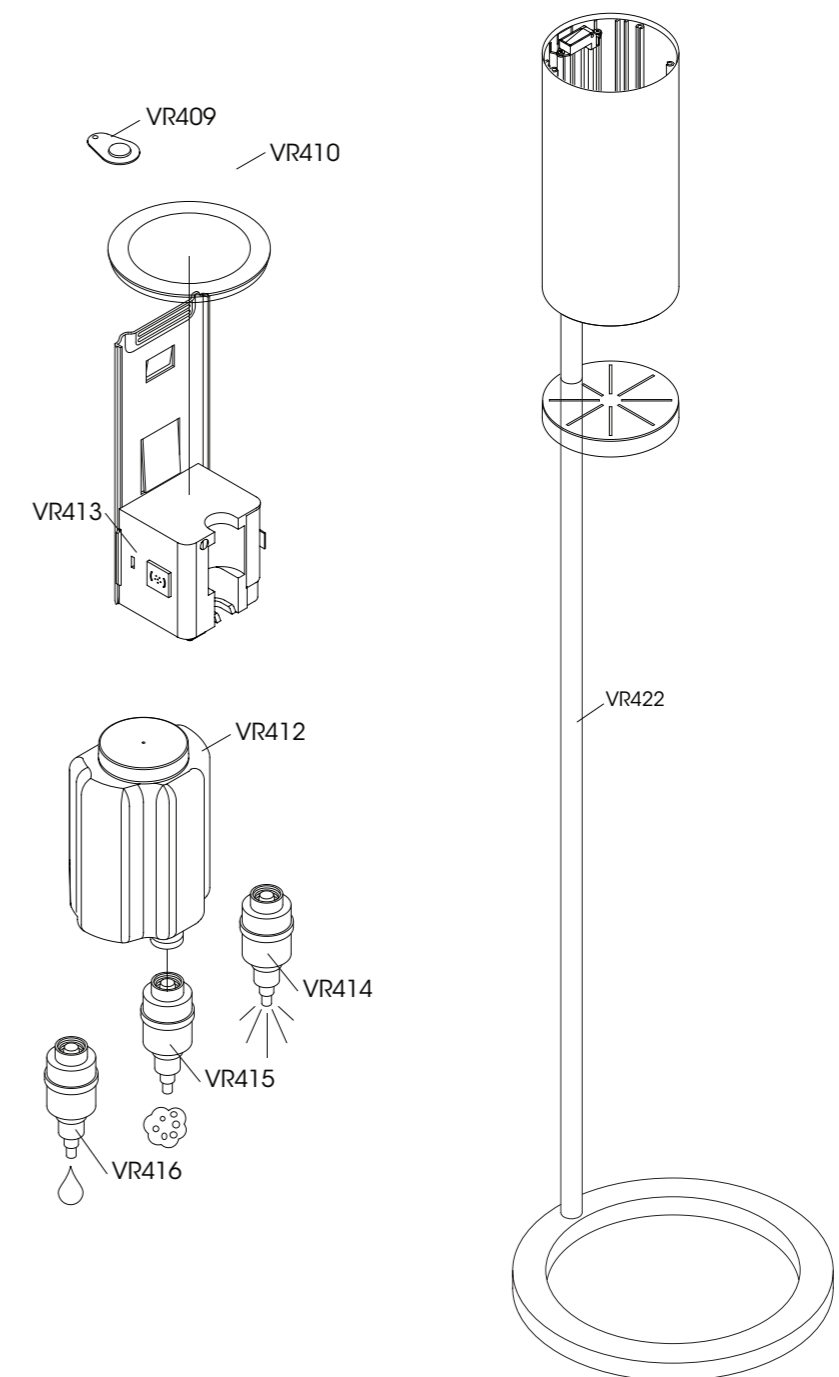
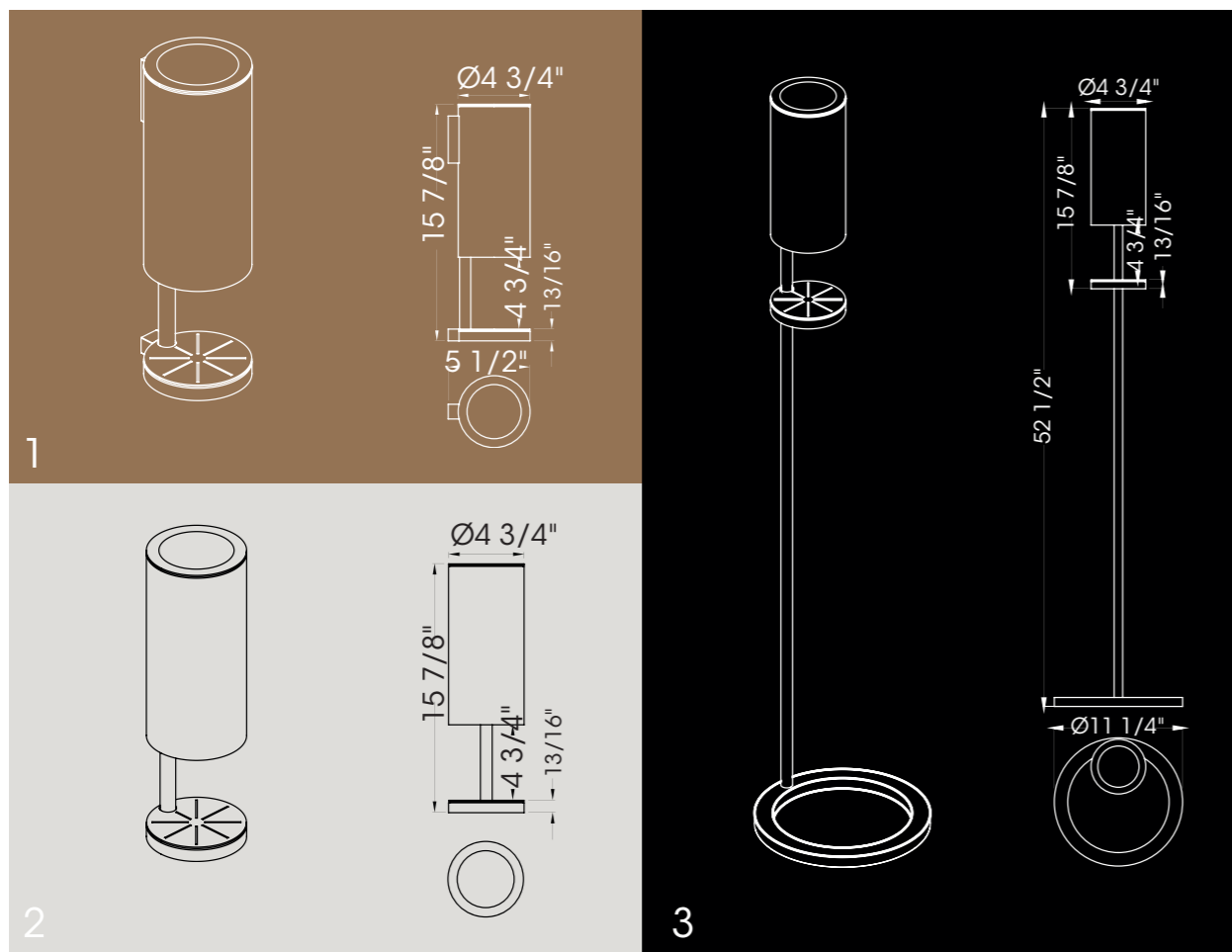


## VOLA continuity

At VOLA we believe purity of design not only pleases the eye but also calms the spirit, which is why each configuration of the VOLA RS11 has the same sized dispenser and consistent proportions. The reservoir references the design aesthetic of the VOLA round-head shower.

Mechanisms in all the dispensers are the same and are powered by four AA batteries. We recommend rechargeable batteries to protect the environment.

1. RS11/1 Wall-mounted dispenser
2. RS11/2 Table-mounted dispenser
3. RS11/3 Freestanding dispenser



- VR414 - sanitiser spirit
- VR415 - foam soap
- VR416 - fluid soap/sanitiser gel

**VOLA A/S**  
Lunavej 2  
DK-8700 Horsens  
Tel: +45 7023 5500  
sales@vola.dk  
www.vola.dk

Celebrating change. Celebrating continuity.

vola®

